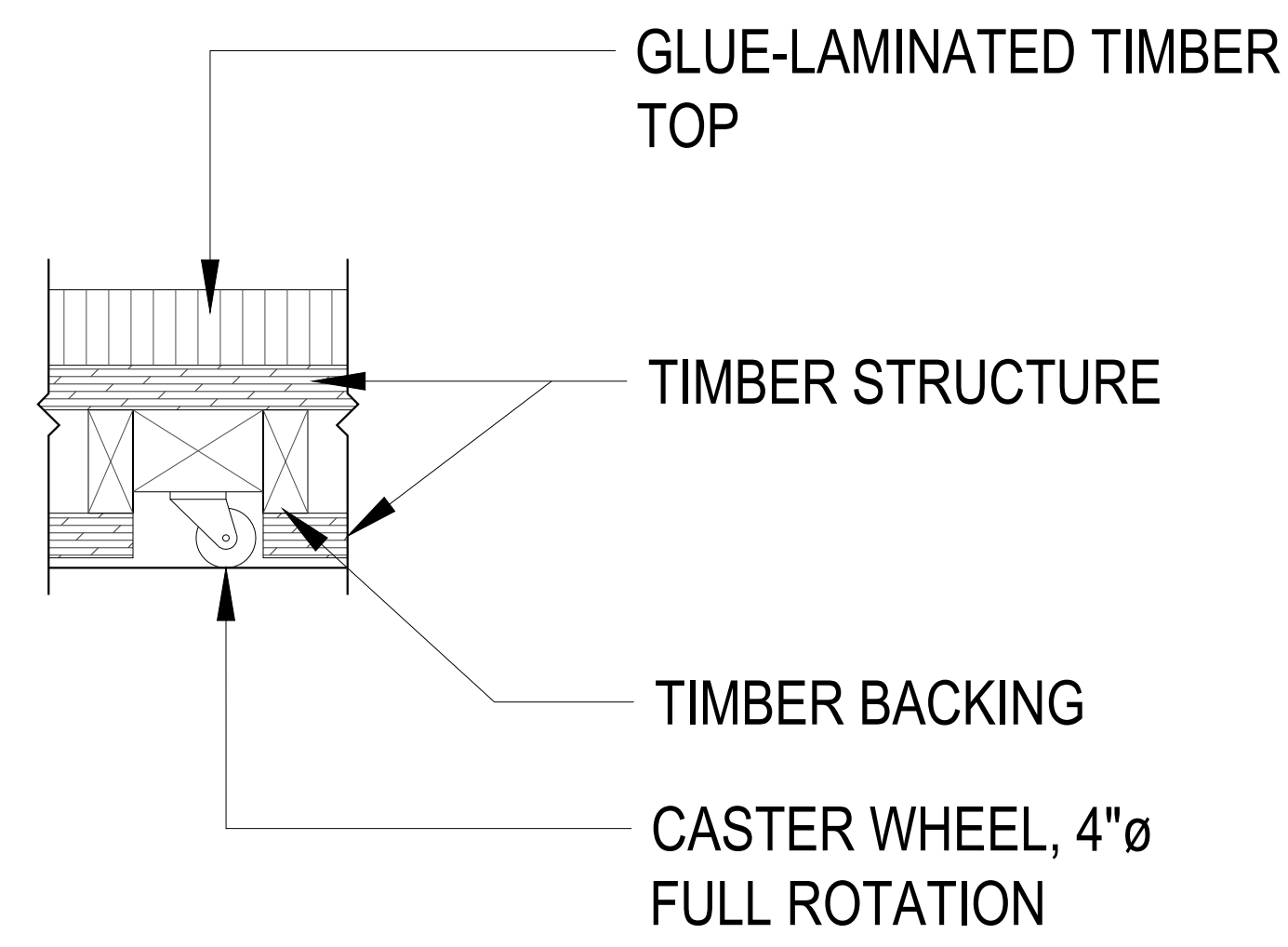
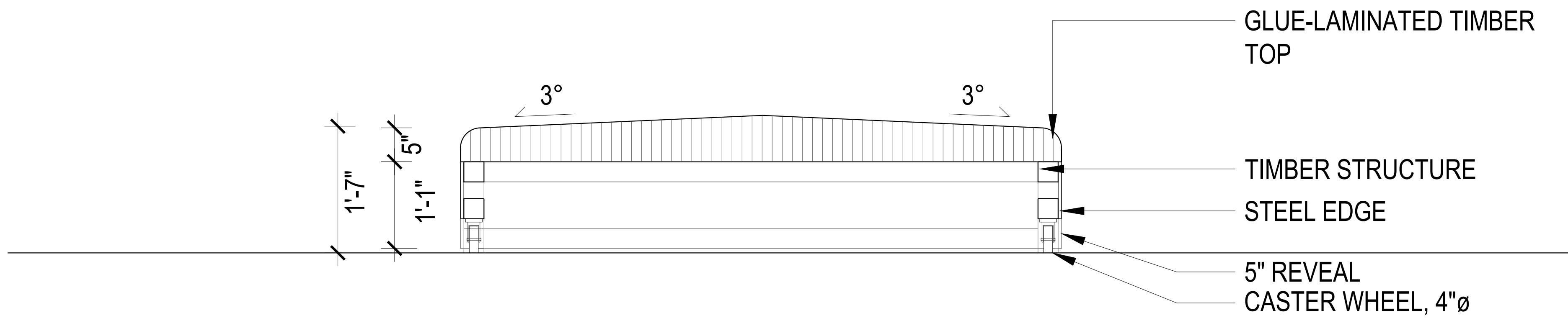


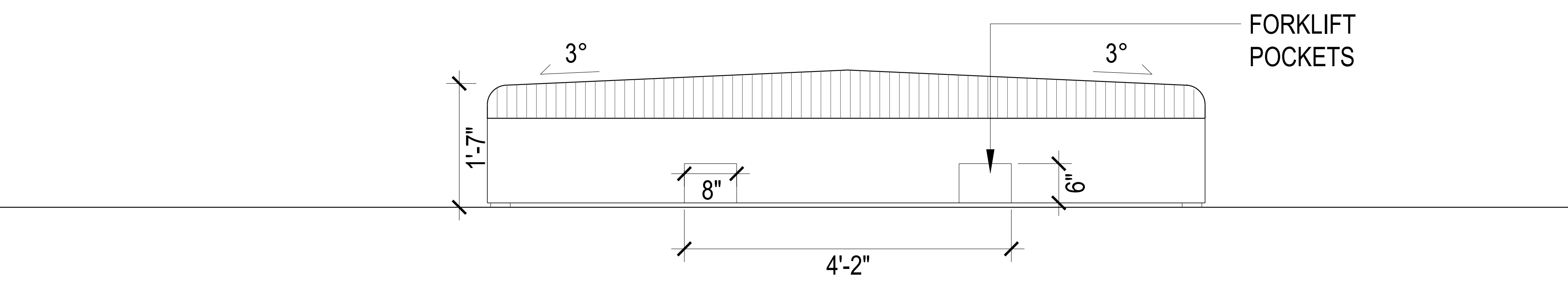
1 Movable Timber Bench Type 1 - Plan (Count: 1)  
 3/4" = 1'

4 3D Visualization of Timber Bench  
 NTS



2 Movable Timber Bench Type 1 - Section  
 1" = 1'

5 Movable Timber Bench Caster Wheel - Section Detail  
 1" = 1'



3 Movable Timber Bench Type 1 - Elevation  
 1" = 1'

No.	Date	Description
2	2023-09-29	Design Development Resubmission
1	2019-05-07	Design Development

Do not scale drawings

**CAPITOL PARK**  
 DETROIT, MI

THIS DRAWING AND THE DESIGNS AND INFORMATION IT CONTAINS IS THE PROPERTY OF THE LANDSCAPE ARCHITECTS AND MAY NOT BE REPRODUCED OR USED OTHERWISE THAN ON THE SPECIFIED PROJECT WITHOUT THEIR WRITTEN PERMISSION.

**TIMBER PLATFORM/BENCH**

Print Date: September 29, 2023  
 Project No: 22014  
 Drawn by: PWH  
 Checked by: AN / MR  
 Drawing No:

**L-508**

Scale: AS NOTED