

DATE: PROJECT: TYPE: **C1, C2, C3**

CATALOG NUMBER LOGIC:



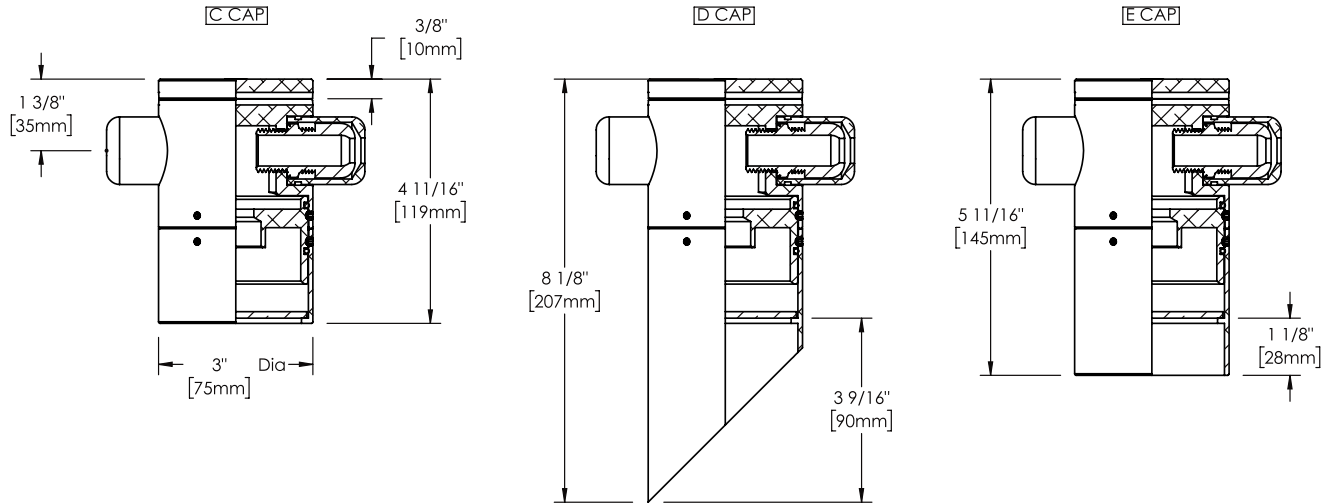
*120V only.

CATALOG NUMBER LOGIC	
Example: CY-DI - LED - TR - e150 - SP - 9 - 11 - C - INC - MT - BLP	
MATERIAL	
Aluminum	
SERIES	
CY-DI - Catenary Demi	
SOURCE	
LED	
HOUSING	
TR - Integral Driver	
LED TYPE	
e150 - 9W LED/2700K/80CRI	e152 - 9W LED/3500K/80CRI
e151 - 9W LED/3000K/80CRI	e153 - 9W LED/4000K/80CRI
OPTICS	
VNSP - Very Narrow Spot (7°)	NSP - Narrow Spot (10°)
SP - Spot (17.5°)	NFL - Narrow Flood (30°) WFL - Wide Flood (41°)
LENS	
9 - Clear (Standard)	13 - Rectilinear
SHIELDING	
11 - Honeycomb Baffle	
CAP STYLE	
C - Flush	
D - 45° Less Weep Hole	
E - 90° Less Weep Hole	
CONTROL	
ELV - Dimming Driver (For use with Electronic Low Voltage Dimmer)*	
INC - Dimming Driver (For use with Incandescent Dimmer)*	
010 - Dimming Driver (For use with 0-10 Dimmer)	
INPUT VOLTAGE	
MT - 120-277 VAC	
FINISH (See page 2 for full-color swatches)	
Standard Finishes (BZP, BZW, BLP, BLW, WHP, WHW, SAP, VER)	
Premium Finish (ABP, AMG, AQW, BCM, BGE, BPP, CAP, CMG, CRM, HUG, NBP, OCP, RMG, SDS, SMG, TXF, WCP, WIR)	
Also available in RAL Finishes	

DATE:

PROJECT:

TYPE: **C1**

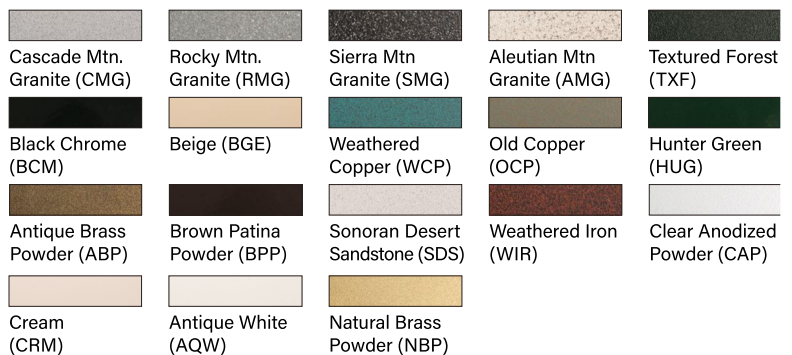


	C CAP	D CAP	E CAP
APPROXIMATE EPAs	0.12ft ²	0.18ft ²	0.14ft ²
FIXTURE WEIGHT	1.86lbs	2.02lbs	1.94lbs

STANDARD FINISHES



PREMIUM FINISHES



[Click Here](#) to view larger, full-color swatches of all available finishes on our website.

DATE:	PROJECT:	TYPE: C1
-------	----------	-----------------

ACCESSORIES (Configure separately)

SPECIFICATIONS

ELECTRICAL	WATTAGE	9W LED
	LED	Integrated LED modular design with electrical disconnects allow for easy field upgrade and maintenance. High power, forward throw source complies with ANSI C78.377 binning requirements and exceeds ENERGY STAR® lumen maintenance requirements.
	DRIVER	With one (1) 650mA, Class II, constant current integral driver. 50/60Hz. >0.9 Power Factor, 5A in-rush current (typical at 120VAC), ≤20%THD (nominal at 120VAC full load). Output over-voltage, over-current, and short circuit protection with auto recovery. Dimming driver for use with 0-10V, Incandescent or ELV dimmers. 1-100% range. *INC/ELV dimming at 120VAC only.
	WIRING	Anti-Wicking Connector prevents “wicking” through conductor insulation. Red/Black Stranded, direct burial wire, PVC, 18/2GA, 30V, 60°C.
PHYSICAL	MATERIALS	Furnished in copper-free aluminum (6061-T6).
	BODY	Unibody design is fully machined from solid billet and provides enclosed, water-proof wireway and integral heat sink for maximum component life. High temperature, silicone ‘O’ Ring provides water-tight seal. Anti-condensation and corrosion vent equalizes fixture pressure and eliminates potential for damage to internal components.
	CAP	Fully machined and accommodates up to two (2) lens or louver media.
	LENS	Shock-resistant, tempered glass lens is factory adhered to fixture cap and provides hermetically sealed optical compartment.
	OPTICS	Interchangeable optics permit changes in the field.
	0-10V DIMMING	“Use class 1 rated 18/5 or 16/5 wire rated portable cable (Such as SJTW, SJOW, SJEW) with as cable diameter not exceeding .45”. The conductors utilized for 0-10V control must be housed in the same overall jacket as the line voltage conductors as there is only (1) wire entry on each side of the fixture.”
	INSTALLATION	Machined aluminum clamp for use with 1/4” O.D. stainless steel aircraft cable (by others). Factory-installed nylon liquid tight strain relief must be used with round jacketed cable with a diameter of .24” min to .47” max (by others).
	HARDWARE	Tamper-resistant, stainless steel hardware.
	FINISH	StarGuard, our 15-stage chromate-free process cleans and conversion coats aluminum components prior to application of Class ‘A’ TGIC polyester powder coating and is RoHS compliant. Powder coat or metal finish options available for brass material and metal finish option only for stainless steel material.
	WARRANTY	5-year limited warranty.
CERTIFICATION & LISTING	UL tested to IESNA LM-79. UL Listed. Certified to CAN/CSA/ ANSI Standards. RoHs compliant. Title 24, JA8 compliant. Suitable for indoor or outdoor use and in wet locations. IP66 Rated. Made in USA with sustainable processes.	



LAMP & DRIVER DATA

DATE:

PROJECT:

TYPE:

C1

L70 DATA FORMAT

BK NO.	CCT (Typ.)	CRI (Typ.)	Input Watts (Typ.)
e150	2700	80	9
e150	2700	80	9
e150	2700	80	9
e150	2700	80	9
e150	2700	80	9
e151	3000	80	9
e151	3000	80	9
e151	3000	80	9
e151	3000	80	9
e151	3000	80	9
e152	3500	80	9
e152	3500	80	9
e152	3500	80	9
e152	3500	80	9
e152	3500	80	9
e153	4000	80	9
e153	4000	80	9
e153	4000	80	9
e153	4000	80	9

L70 Data
50,000
50,000
50,000
50,000
50,000
50,000
50,000
50,000
50,000
50,000
50,000
50,000
50,000
50,000
50,000
50,000
50,000
50,000
50,000
50,000

OPTICAL DATA

Angle	CBCP	Del. Lumen	Multiplier
7	12,923	413	0.92
10	6,486	458	0.92
17.5	2,627	425	0.92
30	841	415	0.92
41	428	370	0.92
7	14,177	453	1.01
10	7,115	502	1.01
17.5	2,882	466	1.01
30	922	455	1.01
41	469	406	1.01
7	14,624	467	1.04
10	7,339	518	1.04
17.5	2,973	481	1.04
30	951	469	1.04
41	484	419	1.04
7	14,072	450	1.00
10	7,067	499	1.00
17.5	2,863	463	1.00
30	916	452	1.00
41	466	403	1.00

OPTICS

VNSP	7°
NSP	10°
SP	17.5°
NFL	30°
WFL	41°

B-K LIGHTING

MADE IN THE USA

559.438.5800 | INFO@BKLIGHTING.COM | BKLIGHTING.COM

THIS DOCUMENT CONTAINS PROPRIETARY INFORMATION OF B-K LIGHTING, INC. AND ITS RECEIPT OR POSSESSION DOES NOT CONVEY ANY RIGHTS TO REPRODUCE, DISCLOSE ITS CONTENTS, OR TO MANUFACTURE, USE OR SELL ANYTHING IT MAY DESCRIBE. REPRODUCTION, DISCLOSURE OR USE WITHOUT SPECIFIC WRITTEN AUTHORIZATION OF B-K LIGHTING, INC. IS STRICTLY FORBIDDEN.